

NOTES:

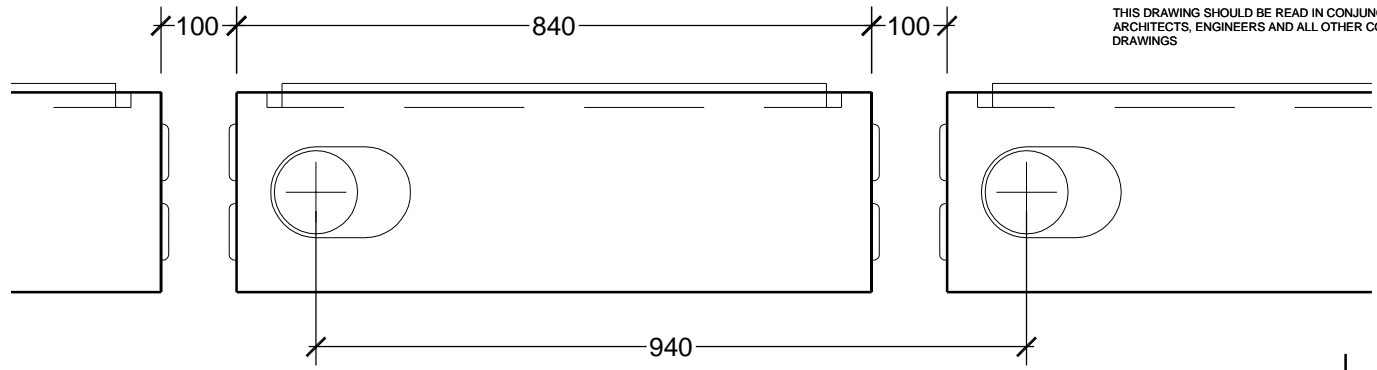
SUBJECT TO STATUTORY CONSENTS

SUBJECT TO SURVEY

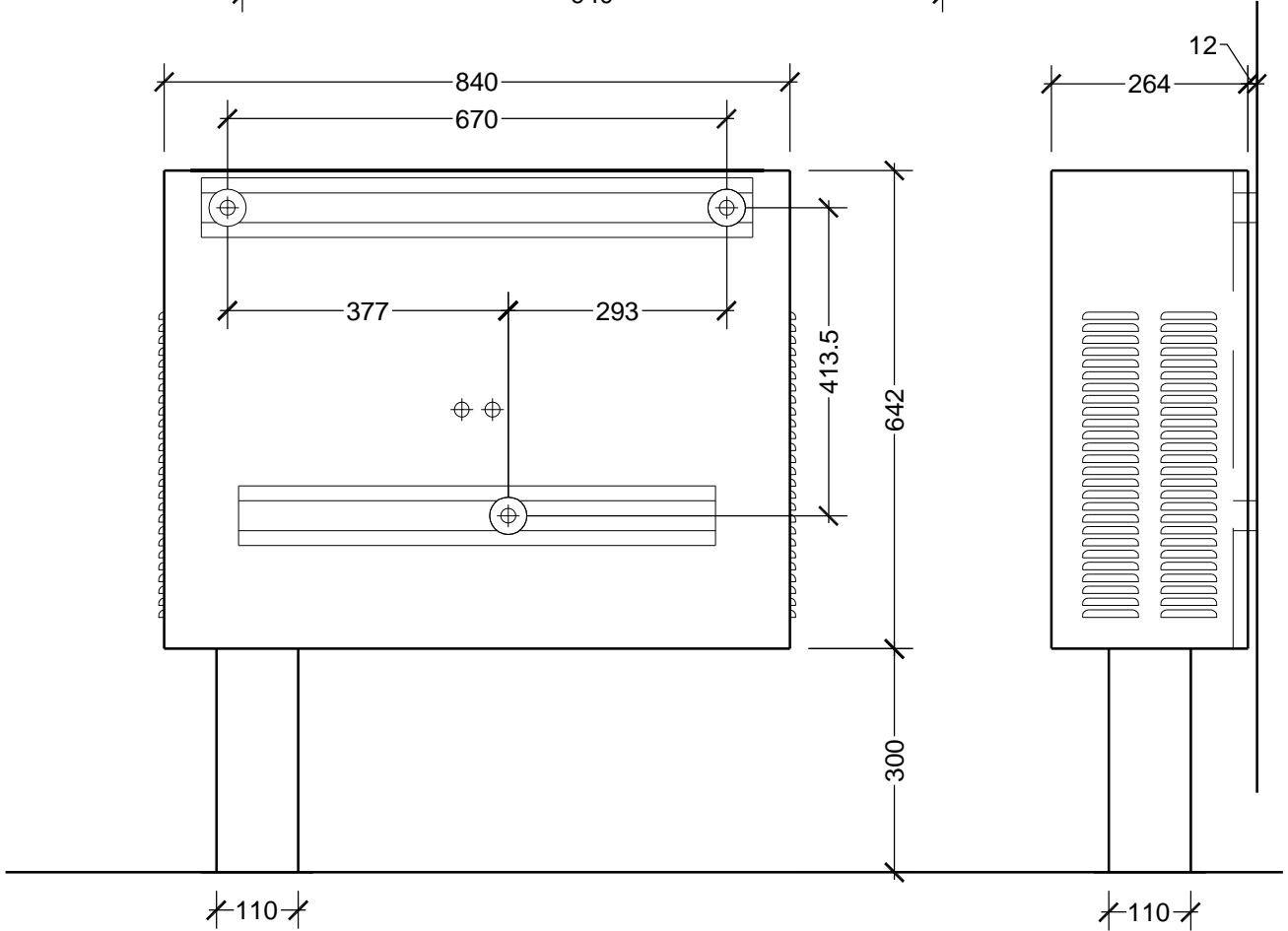
BASED ON OS MAP REPRODUCED BY PERMISSION OF
CONTROLLER OF HM STATIONARY OFFICE (c) CROWN
COPYRIGHT

DO NOT SCALE THIS DRAWING

THIS DRAWING SHOULD BE READ IN CONJUNCTION WITH
ARCHITECTS, ENGINEERS AND ALL OTHER CONSULTANTS
DRAWINGS



Plan



Rear Elevation

Side Elevation

REVISIONS	DATE



*Prestige House, Landews Meadow
Green Lane, Challock
Ashford
Kent TN25 4BL
Tel. 01233 740844 Fax. 0123374083*

TITLE
Standard detail
DRAWING
Component Elevations
Low energy P.P.U Elevations
CLIENT
Prestige Air-Technology Ltd

DATE	SCALE	DRAWN
October 2001	1:10	JA
STATUS	CHECKED	
For Information	RS	

DRAWING NUMBER
5719 AA(57) 012

REV.
PC