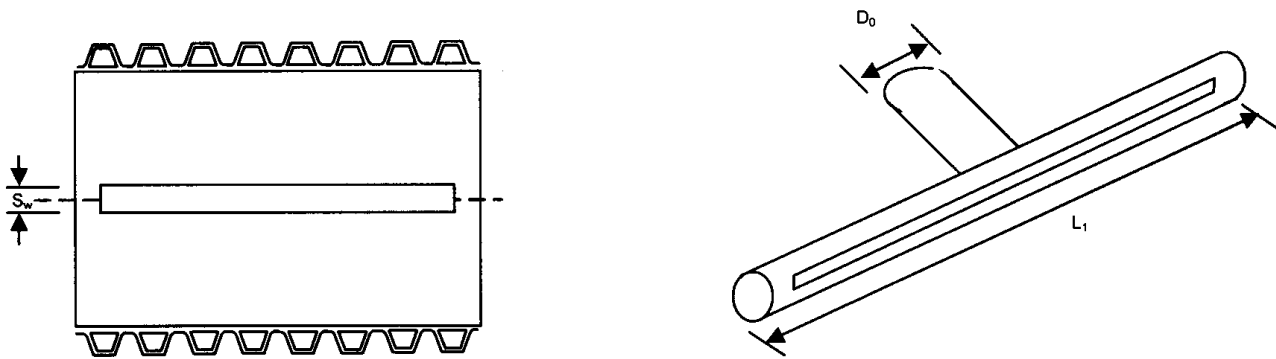


## PAGeotechnical Slotted Tee Connector



The PAGeotechnical Slotted Tee Connector is constructed from a high-density polyethylene (HDPE) twin wall pipe and a smooth HDPE adaptor, manufactured by a twin extrusion process. Two pipes are extruded simultaneously, one inside the other, and heat welded together in one continuous process. The outer wall is corrugated and the inner wall is a smooth finish and the two ends are solid.

A smooth HDPE pipe is welded to the outlet to make an adaptor allowing it to fit twinwall pipes. The outlet is slotted with a 31mm slot to allow for the PAG 25mm voidformer to be inserted.

Nominal pipe fitting size	Connector nominal external diameter ( $D_o$ )	Outlet length (mean $L_i$ )	Slot depth ( $S_w$ )
100mm	99mm	990mm	31mm